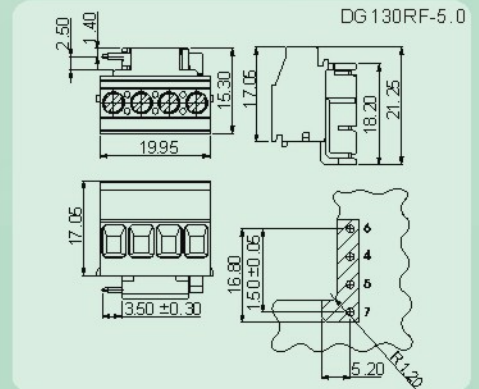
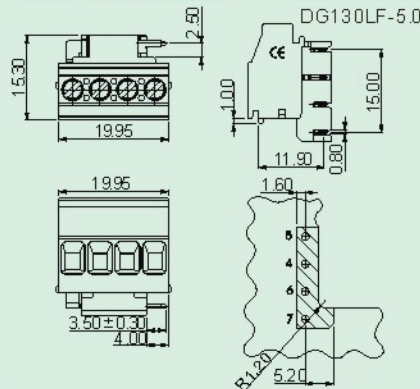


DG130LF/RF-5.0

- 适用FMEH-04P模组外壳。
- 5.0 mm 针距。
- 可垂直安装在PCB板上，操作方便。
- 左右设计。
- PCB terminal block for FMEH-04P interface module .
- Pitch 5.0 mm .
- PCB terminal block is perpendicularly installed on the PCB,easy operation.
- Left and right version is available.



技术参数 Technical data

APPROVAL: 

型号 Model	线径 Wire range (AWG/mm ²)	线数 Poles	IEC60947技术参数 (IEC60947 data sheet)		UL1059技术参数 (UL1059 data sheet)	
			电压(V) Rated voltage	电流(A) Rated current	电压(V) Rated voltage	电流(A) Rated current
DG130LF-5.0	30-12/0.2-2.5	04P	400	24	300	20
DG130RF-5.0	30-12/0.2-2.5	04P	400	24	300	20

应用行业 Application

仪器仪表等行业。
Instrument etc.



产品包装方式 Packing

Product model	Pcs./Pkt.
DG130LF-5.0-04P	50
DG130RF-5.0-04P	50

配套产品 Relevant products



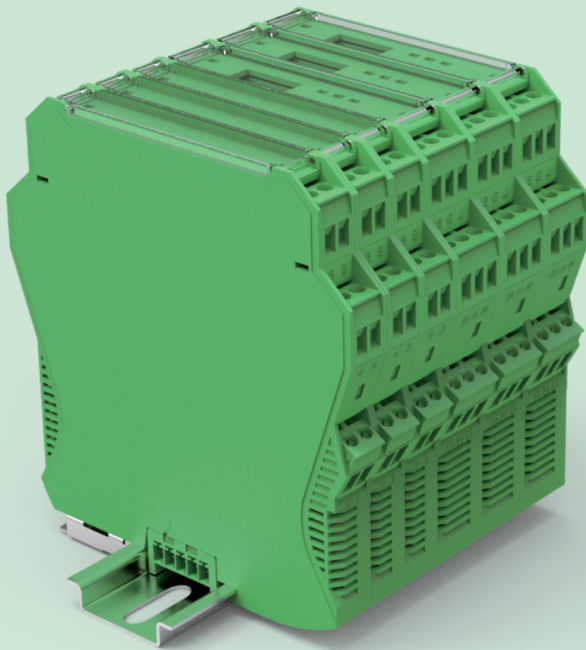
型号对照 Cross reference

DEGSON	同行1/Competitor1	同行2/Competitor2
DG130LF-5.0	MKDSO 1,5/ 3-L	-
DG130RF-5.0	MKDSO 1,5/ 3-R	-

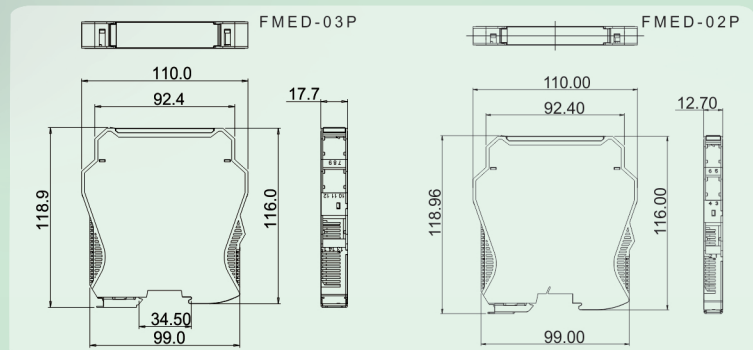
产品订货 How to order

DG130RF-5.0	0	4	P	X	X	0	0	A	0
Series NO.	NO. of pole					通用色 Green		056C	04
	1 Single pin	2 Double pin				通用色 Green		PANTONE	04
DG130LF-5.0	0	4	P	X	X	0	0	A	0
Series NO.	NO. of pole					通用色 Green		056C	04
	1 Single pin	2 Double pin				通用色 Green		PANTONE	04

FMED-02P/FMED-03P



- 三进二出端子连接结构, 满足电路多样化需求;
 - 快速度卡接, 操作方便;
 - PC材质, 保障产品抗变形能力;
 - 轨道固定方式, 安装方便;
 - 同行专利问题, 禁销欧盟与美国;
- Three in two out connect structure . meet circuit various requirement.
 - Easy using with K-bus , easy operation.
 - PC housing material . sure the anti-distortion performance.
 - Din-rail fixed type , easy fixing.
 - Patent problems , ban selling to EU and USA



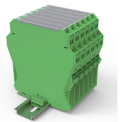
技术参数 Technical Data

APPROVAL: CE

型号 Model	线径 Wire range	线数 Poles	IEC61984技术参数(IEC61984 datasheet)				UL1059技术参数(UL1059 datasheet)			
			电压(V)	Rated voltage	电流(A)	Rated current	电压(V)	Rated voltage	电流(A)	Rated current
FMED-02P	—	02P	—	—	—	—	—	—	—	
FMED-03P	—	03P	—	—	—	—	—	—	—	

应用行业 Application

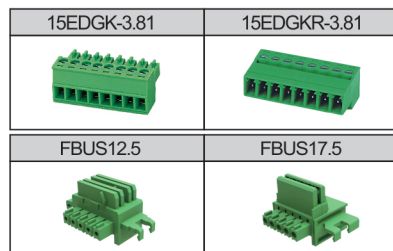
仪器仪表行业。
instrument etc.



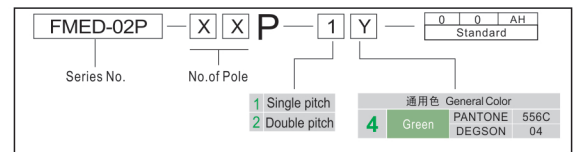
产品包装方式 Packing

Product model	Pcs./Pkt.
FMED-02P	10
FMED-03P	10

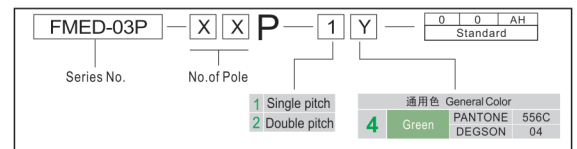
附件 Accessory



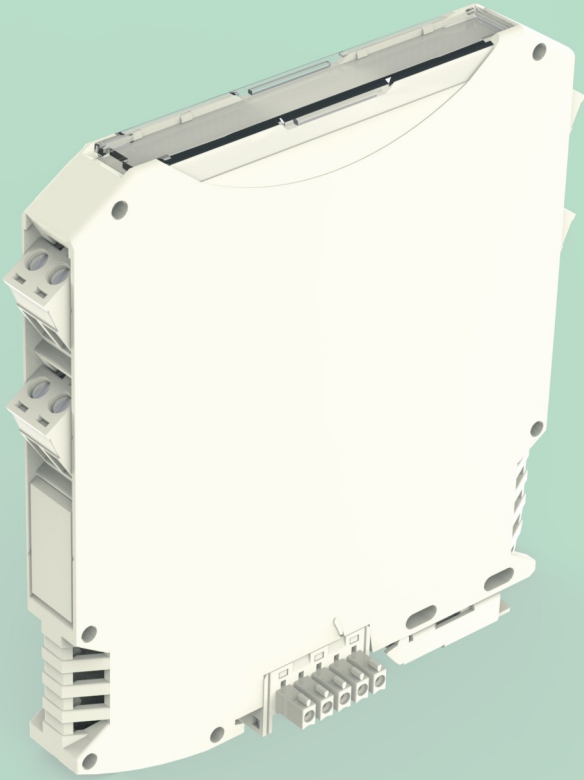
产品订货 How to order



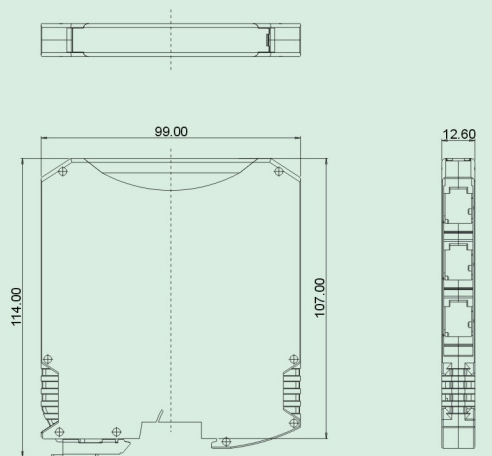
产品订货 How to order



FMEH-02P



- 结构紧凑,适用于大尺寸的PCB ;
- 可提供DIN导轨式总线连接器 ;
- 提供三层6个插拔式端子或防尘盖可供选择 ;
- 透明盖板可以转动并卸下 ;
- 功能接地连接可选 ;
- 提供12.6/17.6/22.6mm三种厚度。
- Compact structure, suitable for large sized PCB ;
- DIN rail bus connectors available ;
- Three-layer 6 pluggable terminal blocks or dust-proof cover available ;
- Transparent cover can be rotated and removed ;
- PE function available ;
- Thickness:12.6/17.6/22.6mm available .



技术参数 Technical data

APPROVAL: **CE**

型号 Model	线径 Wire range (AWG/mm ²)	线数 Poles	IEC61984技术参数 (IEC61984 data sheet)		UL1059技术参数 (UL1059 data sheet)	
			电压(V) Rated voltage	电流(A) Rated current	电压(V) Rated voltage	电流(A) Rated current
FMEH-02P	-/-	-	-	-	-	-

应用行业 Application

仪器仪表等行业。
Instrument etc.



产品包装方式 Packing

Product model	Pcs./Pkt.
FMEH-02P	10

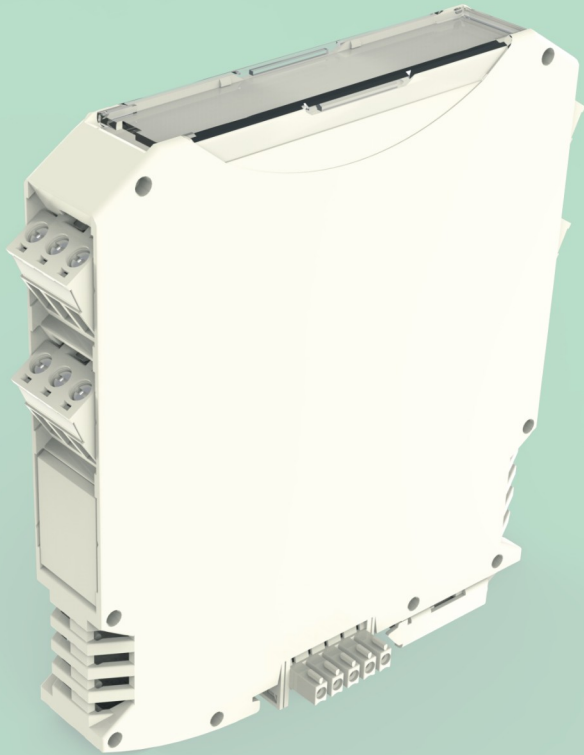
型号对照 Cross reference

DEGSON	同行1/Competitor1	同行2/Competitor2
FMEH-02P	MEMAX12.5	-

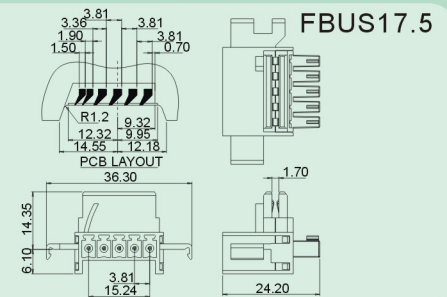
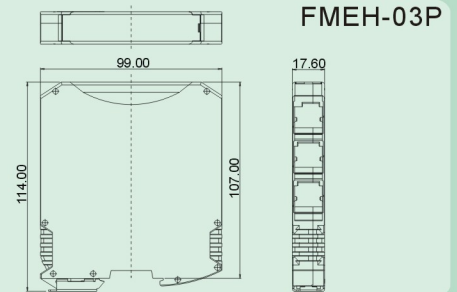
产品订货 How to order

FMEH	-	0	2	P	-	1	Y	-	0	0	A(H)
Series NO.		NO. of pole							Standard		
		1	2						通用色 General Color		
		1	2					1	Grey	PANTONE 430C	DEGSON 41

FMEH-03P/FBUS17.5



- 结构紧凑,适用于大尺寸的PCB ;
- 可提供DIN导轨式总线连接器 ;
- 提供三层6个插拔式端子或防尘盖可供选择 ;
- 透明盖板可以转动并卸下 ;
- 功能接地连接可选 ;
- 提供12.6/17.6/22.6mm三种厚度。
- Compact structure, suitable for large sized PCB ;
- DIN rail bus connectors available ;
- Three-layer 6 pluggable terminal blocks or dust-proof cover available ;
- Transparent cover can be rotated and removed ;
- PE function available ;
- Thickness:12.6/17.6/22.6mm available .



技术参数 Technical data

APPROVAL: **CE**

型号 Model	线径 Wire range (AWG/mm ²)	线数 Poles	IEC61984技术参数 (IEC61984 data sheet)		UL1059技术参数 (UL1059 data sheet)	
			电压(V) Rated voltage	电流(A) Rated current	电压(V) Rated voltage	电流(A) Rated current
FMEH-03P	-/-	-	-	-	-	-
FBUS17.5	-/-	-	-	-	-	-

应用行业 Application

仪器仪表等行业。
Instrument etc.



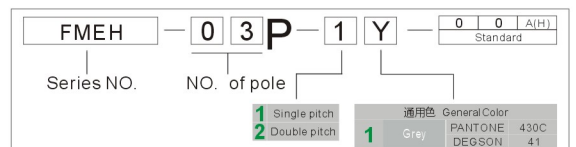
产品包装方式 Packing

Product model	Pcs./Pkt.
FMEH-03P	10

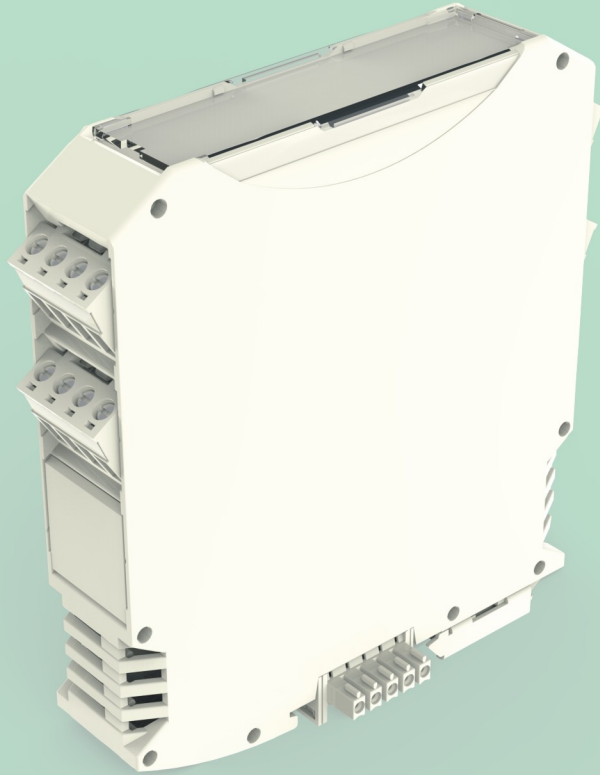
型号对照 Cross reference

DEGSON	同行1/Competitor1	同行2/Competitor2
FMEH-03P	MEMAX17.5	-
FBUS17.5	-	-

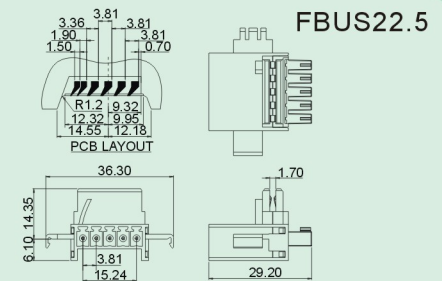
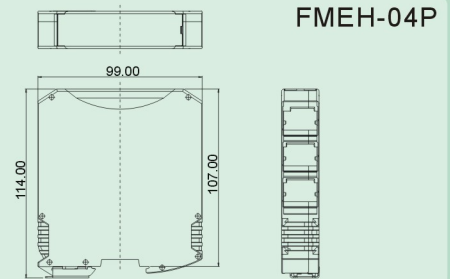
产品订货 How to order



FMEH-04P/FBUS22.5



- 结构紧凑,适用于大尺寸的PCB ;
- 可提供DIN导轨式总线连接器 ;
- 提供三层6个插拔式端子或防尘盖可供选择 ;
- 透明盖板可以转动并卸下 ;
- 功能接地连接可选 ;
- 提供12.6/17.6/22.6mm三种厚度。
- Compact structure, suitable for large sized PCB ;
- DIN rail bus connectors available ;
- Three-layer 6 pluggable terminal blocks or dust-proof cover available ;
- Transparent cover can be rotated and removed ;
- PE function available ;
- Thickness:12.6/17.6/22.6mm available .



技术参数 Technical data

APPROVAL: **CE**

型号 Model	线径 Wire range (AWG/mm ²)	线数 Poles	IEC61984技术参数 (IEC61984 data sheet)		UL1059技术参数 (UL1059 data sheet)	
			电压(V) Rated voltage	电流(A) Rated current	电压(V) Rated voltage	电流(A) Rated current
FMEH-04P	-/-	-	-	-	-	-
FBUS22.5	-/-	-	-	-	-	-

应用行业 Application

仪器仪表等行业。
Instrument etc.



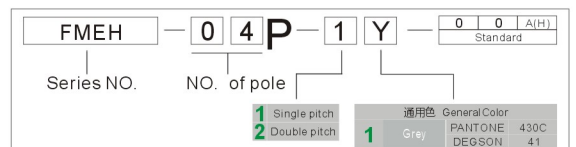
产品包装方式 Packing

Product model	Pcs./Pkt.
FMEH-04P	10

型号对照 Cross reference

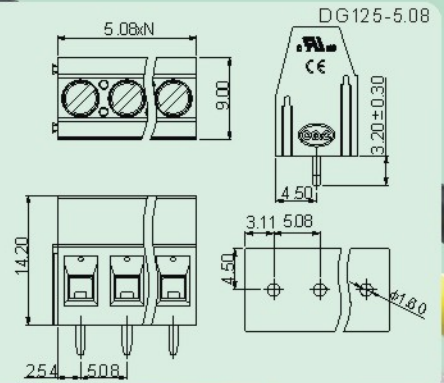
DEGSON	同行1/Competitor1	同行2/Competitor2
FMEH-04P	MEMAX22.5	-
FBUS22.5	-	-

产品订货 How to order



DG125-5.08

- 螺钉类结构, 结构紧凑, 操作方便。
- 可拼接类产品。
- Screw structure, compact design, easy operation.
- Splicing products.



技术参数 Technical data

APPROVAL:   

型号 Model	线径 Wire range (AWG/㎟/mm²)	线数 Poles	IEC60947技术参数 (IEC60947 data sheet)		UL1059技术参数 (UL1059 data sheet)	
			电压(V) Rated voltage	电流(A) Rated current	电压(V) Rated voltage	电流(A) Rated current
DG125-5.08	26-12/0.5-2.5	02-24P	320	18	300	16

应用行业 Application

照明、电源、仪器仪表、安防等行业。
Lighting, Power supply, Instrument, Security etc.



产品包装方式 Packing

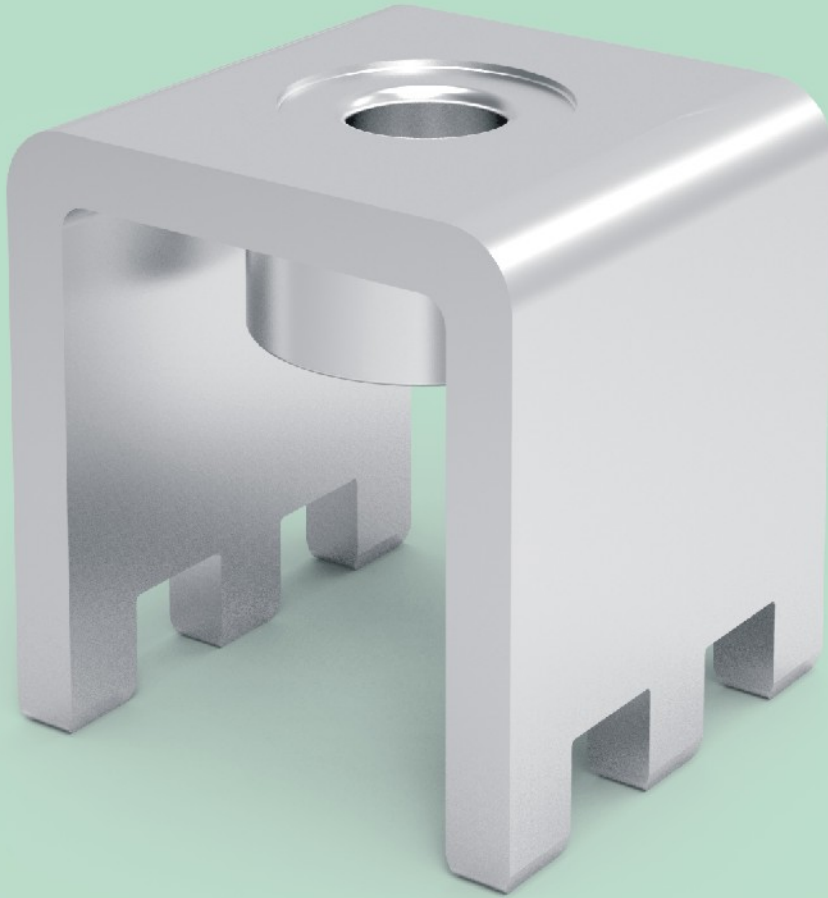
Product model	Pcs./Pkt.
DG125-5.08	50

型号对照 Cross reference

DEGSON	同行1/Competitor1	同行2/Competitor2
DG125-5.08	-	-

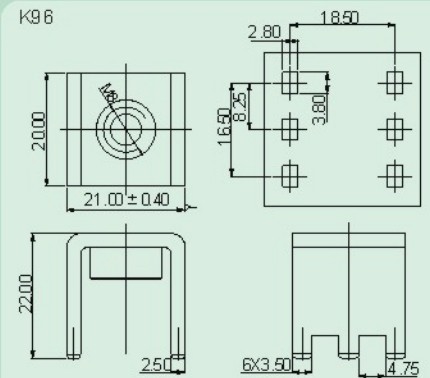
产品订货 How to order

Series NO.	NO. of pole	Color	Standard
DG125-5.08	0 2 P	1 Single pin 2 Double pin	0 0 A,th Standard
		4 Green	通用色 PANTONE 55 6C D E G S O N 04



K96

- 结构简单。
- 最大电流：200A。
- 最大扭矩：M8,3.5N.m。
- Simple structure.
- Maximum current:200A.
- Maximum torque:M8,3.5N.m.



技术参数 Technical data

APPROVAL: 

型号 Model	线径 Wire range (AWG/mm ²)	线数 Poles	EN 60947 技术参数 (EN 60947 data sheet)		UL 技术参数 (UL data sheet)	
			电压 (V) Rated voltage	电流 (A) Rated current	电压 (V) Rated voltage	电流 (A) Rated current
K96	-	-	-	200	-	200

应用行业 Application

工业自动化，电力电气，仪器仪表，电梯等行业。
Industrial automation, electric power, instrument, elevator etc.



产品包装方式 Packing

Product model	Pcs./Pkt.
K96	50

型号对照 Cross reference

DEGSON	同行1/Competitor1	同行2/Competitor2
K96	-	-

产品订货 How to order

K96	—	0 0 A(B) Standard
Series NO.		