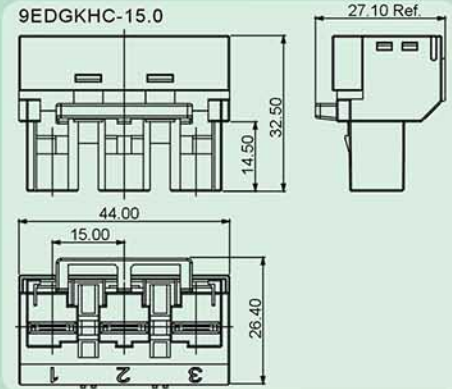


9EDGKHC-15.0



- 笼式弹簧连接技术。
- 耐高压设计, 满足600V电压要求。
- 带自锁结构, 可靠性高。
- Spring-cage connection technology.
- Meet UL 600V requirement.
- With self-locking structure, high reliability.



技术参数 Technical data

APPROVAL: CE

型号 Model	线径 Wire range (AWG/mm ²)	线数 Poles	IEC61984技术参数 (IEC61984 data sheet)		UL1059技术参数 (UL1059 DATA SHEET)	
			电压(V) Rated voltage	电流(A) Rated current	电压(V) Rated voltage	电流(A) Rated current
9EDGKHC-15.0	14-8/2.5-6	03P	-	-	600	35

应用行业 Application

工业自动化, 机械,
轨道交通, 电力电气等行业。
Industrial automation, machinery, railway transport, electric power.



产品包装方式 Packing

Product model	Pcs./Pkt.
9EDGKHC-15.0-03P	25

型号对照 Cross reference

DEGSON	同行1/Competitor1	同行2/Competitor2
9EDGKHC-15.0	-	-

产品订货 How to order

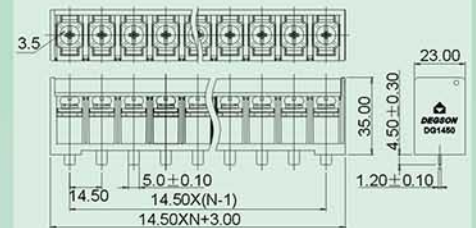
9EDGKHC-15.0	0	3	P	1	3	0	0	A(H)
Series NO.	NO. of pole					Standard		
	1 Single pitch	2 Double pitch	3	通用色 General Color	PANTONE 419C DEGSON 03			



DG1450-B-10A

- 在00AH的基础上新增一种中间单脚规格。
- On the basis of 00AH, an intermediate one-foot specification is added.

DG1450-B-10A



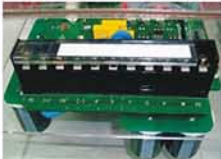
技术参数 Technical data

APPROVAL: CE

型号 Model	线径 Wire range (AWG/mm ²)	线数 Poles	IEC60947技术参数 (IEC60947 data sheet)		UL技术参数 (UL data sheet)	
			电压(V) Rated voltage	电流(A) Rated current	电压(V) Rated voltage	电流(A) Rated current
DG1450-B-10A	22-8/0.5-10	02-14P	-	-	300	50

应用行业 Application

工业自动化, 机械, 电梯, 电力电气等行业。
Industrial automation, machinery, elevator, electric power.



产品包装方式 Packing

Product model	Pcs./Pkt.
DG1450-B-02P-10A	10
DG1450-B-04P-10A	25
DG1450-B-06P-10A	25
DG1450-B-08P-10A	25
DG1450-B-10P-10A	25
DG1450-B-12P-10A	25

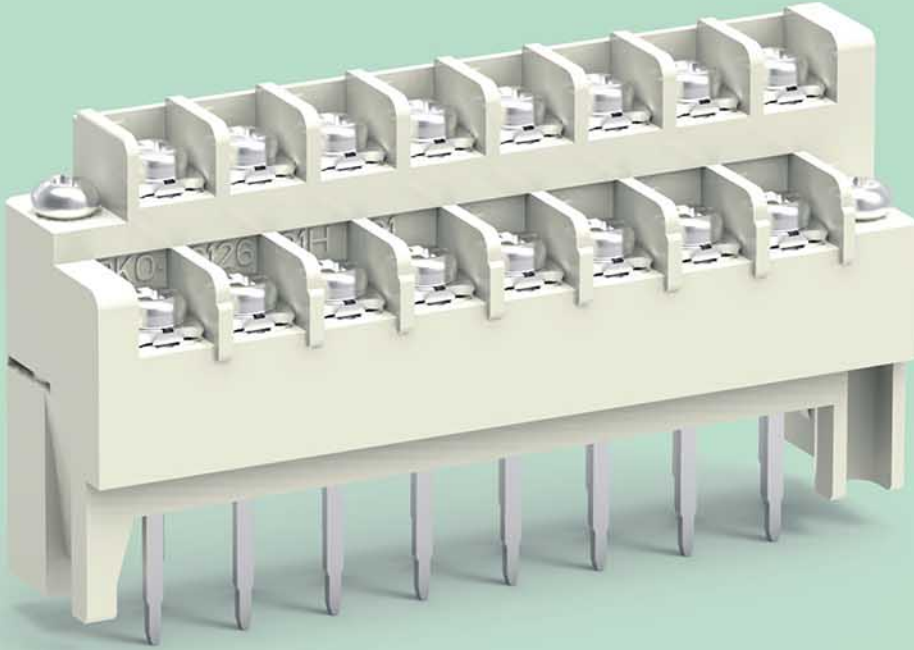
型号对照 Cross reference

DEGSON	同行1/Competitor1	同行2/Competitor2
DG1450-B-10A	-	-

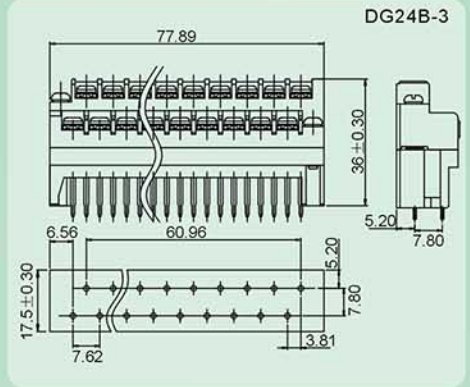
产品订货 How to order

DG1450-B	-	X	X	P	-	1	3	-	1	0	A(H)
Series NO.		NO. of pole				1 Single pitch	3 Double pitch		通用色 General Color	1 0	419C DEGSON 93
									Black		

DG24B-3



- 双层栅栏式结构, 可用OT/DT/U型接头连接, 提高稳定性。
- 可分离式插拔结构, 维护性好。
- 提供镀金与镀锡两种选择。
- 双面夹子结构, 可靠性更高。
- Double-layer structure, OT/DT/Uterminal is optional for connection, stability improved.
- Separable pluggable structure, easy maintenance.
- Gold plating and tin plating optional.
- Two-sides clamps structure, good reliability.



技术参数 Technical data

APPROVAL: CE

型号 Model	线径 Wire range (AWG/mm ²)	线数 Poles	IEC60947技术参数 (IEC60947 data sheet)		UL1059技术参数 (UL 1059 data sheet)	
			电压(V) Rated voltage	电流(A) Rated current	电压(V) Rated voltage	电流(A) Rated current
DG24B-3	24-14/0.2-2.5	16-42P	-	-	300	10

应用行业 Application

电梯, 工业自动化等行业。
 Elevator, industrial automation.



产品包装方式 Packing

Product model	Pcs./Pkt.
DG24B-3-16P	25
DG24B-3-18P	25
DG24B-3-20P	25
DG24B-3-22P	25
DG24B-3-24P	25
DG24B-3-26P	25
DG24B-3-28P	25

型号对照 Cross reference

DEGSON	同行1/Competitor1	同行2/Competitor2
DG24B-3	-	-

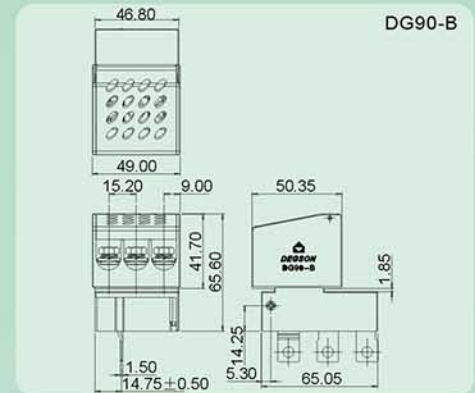
产品订货 How to order

DG24B-3	-	X	X	P	-	1	1	-	0	0	A(H)
Series NO.		NO. of pole				1	1		Standard		
		1	2			1			通用色 General Color		
						1			Grey	PANTONE 429C	41
									DEGSON		



DG90-B

- 栅栏式连接结构。
- 两侧固定结构，安装于壳体或面板上。
- 穿墙式结构。
- Fence type connection structure.
- Fixed structures on both sides, mounted on housing or panel.
- Through wall structure.



技术参数 Technical data

 APPROVAL: **CE**

型号 Model	线径 Wire range (AWG/mm ²)	线数 Poles	IEC60947技术参数 (IEC60947 data sheet)		UL1059技术参数 (UL1059 data sheet)	
			电压(V) Rated voltage	电流(A) Rated current	电压(V) Rated voltage	电流(A) Rated current
DG90-B	22-6/0.5-16	03P	-	-	600	75

应用行业 Application

电源，工业自动化等行业。
 Power supply, industrial automation.



产品包装方式 Packing

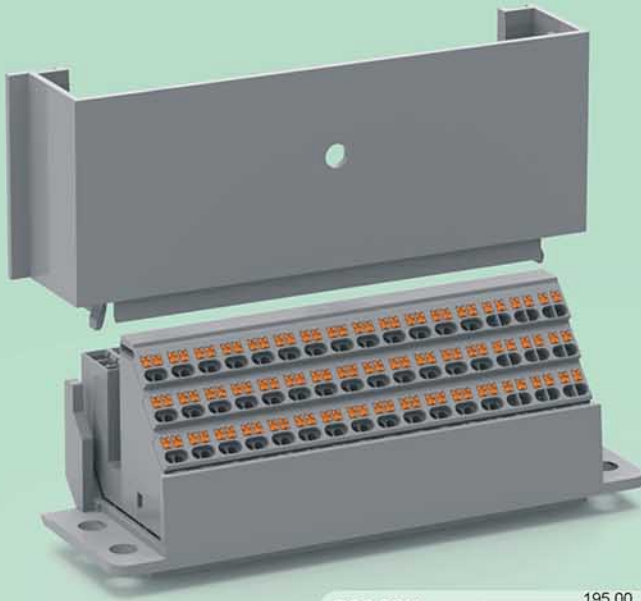
Product model	Pcs./Pkt.
DG90-B	10

型号对照 Cross reference

DEGSON	同行1/Competitor1	同行2/Competitor2
DG90-B	-	-

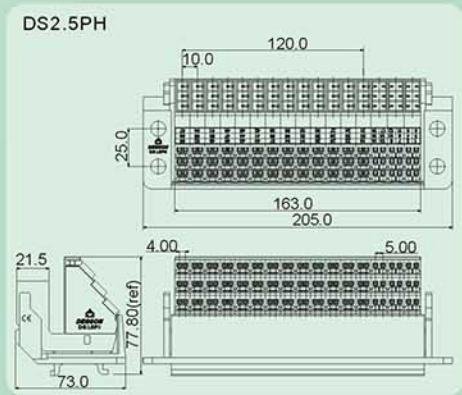
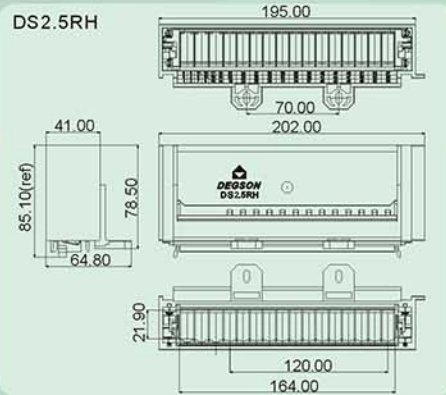
产品订货 How to order

DG90-B	-	0	3	P	-	1	3	-	0	0	A(H)
Series NO.		NO. of pole							Standard		
		1	2						通用色 General Color		
		Single pitch	Double pitch						Black	PANTONE	419C
									DEGSON		03



DS2.5PH/RH

- 45°进线, 输入与输出90°转接, 减少安装空间。
- Push-in弹片结构, 快速接线, 提高工作效率。
- 单极整体模块拼接。
最大线径: 2.5mm²。
- 45°input line, input and output 90°to transfer, reduce installation space.
- Push-in shrapnel structure, quick wiring, improve work efficiency.
- Single pole whole module splicing.
- Maximum diameter:2.5mm².



技术参数 Technical data

APPROVAL: CE

型号 Model	线径 Wire range (AWG/mm ²)	线数 Poles	IEC61984技术参数 (IEC61984 data sheet)		UL1059技术参数 (UL1059 data sheet)	
			电压(V) Rated voltage	电流(A) Rated current	电压(V) Rated voltage	电流(A) Rated current
DS2.5PH/RH	26-14/0.2-2.5	16P	300	13	320	20

应用行业 Application

电力电气等行业。
Electric power.



产品包装方式 Packing

Product model	Pcs./Pkt.
DS2.5PH/RH	10

型号对照 Cross reference

DEGSON	同行1/Competitor1	同行2/Competitor2
DS2.5PH/RH	-	-

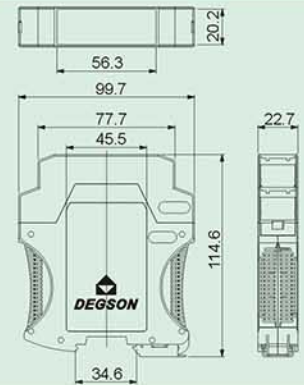
产品订货 How to order

DS2.5PH/RH	-	1	6	P	-	1	1	-	0	0	A(H)
Series NO.		NO. of pole							通用色 General Color		
		1 Single pitch	2 Double pitch						1 Grey	PANTONE 430C	DEGSON 01



FMET-04P-2100A

- 在FMET-04P-1Y-2000A(H)的基础上新增一种与总线端子配套的规格。
- Based on FMET-04P-1Y-2000A(H), a new specification is added to the bus terminal.



技术参数 Technical data

APPROVAL: CE

型号 Model	线径 Wire range (AWG/mm ²)	线数 Poles	IEC60947技术参数 (IEC60947 data sheet)		UL1059技术参数 (UL1059 data sheet)	
			电压(V) Rated voltage	电流(A) Rated current	电压(V) Rated voltage	电流(A) Rated current
FMET-04P-2100A	-	04P	-	-	-	-

应用行业 Application

仪器仪表等行业。
Instrument.



产品包装方式 Packing

Product model	Pcs./Pkt.
FMET-04P-2100A	25

型号对照 Cross reference

DEGSON	同行1/Competitor1	同行2/Competitor2
FMET-04P-2100A	-	-

产品订货 How to order

FMET	-	0	4	P	-	1	1	-	2	1	0	1	A(H)
Series NO.		NO. of pole				1 Single pitch	2 Double pitch		通用色 General Color	1	C=1	PANTONE 429C	DEGSON 41